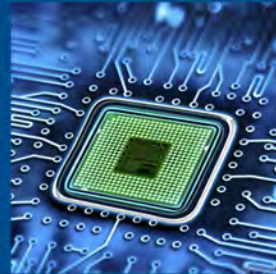


# NAN HAI GROUP 南海集团



## PRODUCT CATALOG 产品目录

# METALS & ALLOYS

The Nan Hai Group distributes a full range of specialty and boutique metals and alloys for your company's critical needs. From base metals to heat-resistant superalloys and everything in between, NHG has your metal and alloy needs covered. Specialty metals are available in many forms including powder, bar, billet, coil, foil, ingot, plate, powder, tube, pipe, sheet, wire, rod, and ring.

Name	Item #
Aluminum Metal (铝)	100
Beryllium-copper (铍铜)	101
Beryllium Alloy (铍合金)	102
Boron Alloys (硼合金)	103
Cadmium Zinc Telluride(青铜)	104
Charcoal (碲化铜隔)	105
Chromium Metal (铬)	106
Cobalt (钴)	107
Copper (铜)	108
Electrolytic (电解质)	109
Germanium (锗)	110
Graphite (石墨)	111
Hafnium (铪)	112
Indium (铟)	113
Lithium (锂)	114
Magnesium (镁)	115
Manganese Alloy (锰合金)	116
Molybdenum (钼)	117

# 金属合金

南海集团发展一系列特色金属合金以满足您的公司需求。从基本金属到耐热合金，南海可满足各种各样的特殊要求。南海提供许多形式的特种金属包括粉末，钢条，钢坯，绕组，箔，锭，板，筒，管道，片材，线材，棒材和环状。

Name	Item #
Nickel (镍)	118
Niobium (铌)	119
Steel Alloy (钢合金)	120
Steel Carbon (钢碳)	121
Stainless Steel (不锈钢)	122
Steel Maraging	123
Tantalum (钽)	124
Tin (锡)	125
Titanium (钛)	126
Titanium Alloys (钛合金)	127
Titanium Sponge	128
Tungsten Ores and Alloys (钨合金)	129
Palladium (钯)	130
Platinum (铂)	131
Depleted Uranium Alloys (贫铀)	132
Vanadium (钒)	133
Zinc (锌)	134
Zirconium (锆)	135



# ADVANCED COMPOSITES

Our organic polymer matrices, metal matrices, carbon matrices, ceramic matrices, and high-temperature resins & epoxies are a just a few of the composite material products that Nan Hai Group offers. Our composites come in tubular, fabric, tape, and adhesive forms. As a leading supplier to the worldwide defense, marine, and aerospace markets, Nan Hai also has the ability to securely acquire additional composites on special request.

Name	Item #
Organic Polymer Matricies (有机聚合物)	200
Metal Matricies	201
Carbon Matricies (碳)	202
Cermic Matricies (陶瓷基复合材料)	203
Boron Fibers	204
High Temperature Epoxies	205
High Temperature Resins (高温树脂)	206
Aramid Fibers (芳香聚酰胺)	207
Fiberglass (玻璃钢)	208
Carbon Fiber 1K (碳纤维 1K)	209
Carbon Fiber 2K (碳纤维 2K)	210
Carbon Fiber 3K (碳纤维 3K)	211
Carbon Fiber 6K (碳纤维 6K)	212
Carbon Fiber 9K (碳纤维 9K)	213
Carbon Fiber 12K (碳纤维 12K)	214
Carbon Fiber 24K (碳纤维 24K)	215
Carbon Fiber 48K (碳纤维 48K)	216
Glass Fiber 20-end (玻璃纤维 20-end)	217
Glass Fiber 60-end (玻璃纤维 60-end)	218
Kevlar 49 (克维拉 49)	219
Kevlar 29 (克维拉 29)	220
S-2 Glass (S-2 玻璃)	221
E Glass (E 玻璃)	222

# 高级复合材料

南海提供的一些复合材料包括我们的有机聚合物，金属，碳，陶瓷基复合材料，和高温树脂，环氧树脂。我们的复合材料有很多形状，比如有管状，混纺，胶帶，和较粘的。作为国防，海洋，和航空航天市场的主要供应商，南海能安全获得更多的复合材料。

Name	Item #
Saphikon	223
Saffil Fibers	224
Silicon Nitride (氮化矽)	225
Polybenzimidazoles (PBI) (据苯并咪唑)	226
Bismaleimides (BMI)	227
Polyether Ether Ketone (PEEK) (聚醚醚酮)	228
Liquid Crystal Polymer Composites (LCP)	229
Carbon-Fabric-Reinforced Polyetherimide (CF/PEI)	230
Polyamide-imide Polymers (PAI) (聚酰胺酰亚胺)	231
Thin Film Composites (TFC)	232
Semicrystalline Thermoplastics (热塑性塑料)	233
Amorphous Thermoplastics	234
Aluminum Matrix Composites	235
Polymer Matrix Composites	236
Titanium Aluminides	237
Fibrous Monoliths (FMs)	238
SiC Monofilaments	239
Small Diameter SiC-based Fibers	240
Non-layered Oxide Interfaces	241
Layered Oxide Interfaces	242
Porous Matricies	243
Porous Coatings	244
Fugitive Interfaces	245



# CHEMICALS AND RAW MATERIALS

Through the Nan Hai Group's extensive network of vendors, we are proudly able to supply and distribute an extensive line of specialty chemicals required by the ordnance, defense, aerospace and many other sectors. After operating for many years in these markets, we have learned how to professionally and efficiently provide our clients with quality products in a secure and timely fashion. If you require an item listed in our products brochure or any other specialized chemical or material not listed, please send us an inquiry on the Special Requests page and we will work to fulfill your order.

Name	Item #
Ammonium (铵)	300
Ammonium Bifluoride (氟化氢铵)	301
Ammonium Hydrogen Fluoride	302
Anthrax (炭疽病)	303
Antimony Trisulfide (三硫化二锑)	304
Arsenic Trichloride (三氯化砷)	305
Asphaltum	306
Barium Carbonate (碳酸钡)	307
Barium Chloride (氯化钡)	308
Barium Nitrate (硝酸钡)	309
Barium Sulfate (硫酸钡)	310
Beryllium (铍)	311
Botulinum Toxin (肉毒桿菌毒素)	312
Bromine (溴)	313
Calcium Carbonate (碳酸鈣)	314
Calcium Nitrate (硝酸鈣)	315
Calcium Oxalate (草酸鈣)	316
Calcium Resinate	317
Carbon (碳)	318
Chlorine (氯)	319
Copper Carbonate (碳酸铜)	320
Copper Oxychloride	321
Copper Powder	322
Cryolite, Synthetic	323
Cupric Oxide	324
Cuprous Oxide	325
Cyanogen (氰)	326
Cyanogen Chloride (氯化氰)	327
Diethyl Phosphite	328
Diethyl Phosphorodithioate	329
Diethyl Phosphorothioate	330
Dihydrazine Sulfate	331

# 化学药品和原材料

通过南海广泛的供货商网络，我们可提供国防，海洋，和航空航天业所需的特种化学品。在这些市场打拼多年，我们掌握了如何为客户提供优质产品和服务的知识。如果您想订货，请发给我们来信。我们期待满足您的订单。

Name	Item #
Diisopropyl Beta Aminoethane Thiol	332
Dimelamine Phosphate	333
Dimethyl Ethylphosphonate	334
Dimethyl Methylphosphonate	335
Dimethyl Phosphite	336
Dimethyl Sulfate (硫酸二甲酯)	337
Dimethylamine (二甲胺)	338
Dimethylamine Hydrochloride	339
Dinitrogen Tetroxide (四氧化二氮)	340
Ethion (乙硫磷)	341
Ethyl Mercury Chloride	342
Flourine Gas	343
Flouroacetic Acid	344
Fluoroethyl Alcohol	345
Glass Borosilicate	346
Hexachloroethane (六氯乙烷)	347
Hexamine (乌洛托品)	348
Hydrogen Fluoride	349
Hydrazine Carbonate	350
Hydrazine Dihydrochloride	351
Hydrazine Hydrate (聯氨)	352
Hydrazine Hydrochloride	353
Hydrazine Nitrate Solution	354
Hydrazine Sulfate	355
Hydrochloric Acid (盐酸)	356
Hydrogen Chloride (氯化氢)	357
Hydrogen Cyanide (氰化氢)	358
Hydrogen Sulfide (硫化氢)	359
Lampblack	360
Lead Nitrate (硝酸铅)	361
Lead Thiocyanate	362
Magnesium Carbonate (碳酸鎂)	363

# CHEMICALS AND RAW MATERIALS

Through the Nan Hai Group's extensive network of vendors, we are proudly able to supply and distribute an extensive line of specialty chemicals required by the ordnance, defense, aerospace and many other sectors. After operating for many years in these markets, we have learned how to professionally and efficiently provide our clients with quality products in a secure and timely fashion. If you require an item listed in our products brochure or any other specialized chemical or material not listed, please send us an inquiry on the Special Requests page and we will work to fulfill your order.

Name	Item #
Magnesium Oxide (氧化镁)	364
Magnesium Powder	365
Manganese Dioxide (二氧化锰)	366
Melamine Orthophosphate	367
Melamine Pyrophosphate	368
Mercuric Chloride, Nitrate, Oxide	369
Methamidophos (甲胺磷)	370
Methyl Benzilate	371
Methyl Fluoroacetate	372
Methylphosphonic Acid	373
Murcurous Nitrate	374
Nitric Acid (硝酸)	375
Nitromethane (硝基甲烷)	376
Osmium Tetroxide (四氧化锇)	377
Oxalic Acid (草酸)	378
Oxamide (乙二酰二胺)	379
Oxamyl	380
Phosgene (光气)	381
Phosphorus Pentachloride (五氯化磷)	382
Phosphorus Trichloride (三氯化磷)	383
Pinacoly Alcohol	384
Polyvinyl Chloride (聚氯乙烯)	385
Phosphorus Oxychloride	386
Potassium Bifluoride	387
Potassium Cyanide (氰化钾)	388
Potassium Fluoride (氟化氢钾)	389
Potassium Sulfate (硫酸钾)	390
Pyrophosphate (焦磷酸盐)	391
Recin (蓖麻毒蛋白)	392
Red Lead (四氧化三铅)	393

# 化学药品和原材料

通过南海广泛的供货商网络，我们可提供国防、海洋，和航空航天业所需的特种化学品。在这些市场打拼多年，我们掌握了如何为客户提供优质产品和服务的知识。如果您想订货，请发给我们来信。我们期待满足您的订单。

Name	Item #
Red Phosphorous (磷)	394
Sarin (沙林)	395
Silicon (硅)	396
Silver Nitrate (硝酸银)	397
Sodium Azide (叠氮化钠)	398
Sodium Benzoate (苯甲酸钠)	399
Sodium Bicarbonate (碳酸氢钠)	400
Sodium Bifluoride (氟化氢钠)	401
Sodium Chlorate (氯酸钠)	402
Sodium Cyanide (氰化钠)	403
Sodium Fluoride (氟化钠)	404
Sodium Hydroxide (氢氧化钠)	405
Sodium Nitrate (硝酸钠)	406
Sodium Oxalate (草酸钠)	407
Sodium Salicylate (水杨酸钠)	408
Sodium Sulfide (硫化钠)	409
Stearic Acid (硬脂酸)	410
Strontium Chloride (氯化锶)	411
Sulfur Dichloride	412
Sulfur Monochloride	413
Sulfur (硫)	414
Tabun (塔崩)	415
Tertranitromethane	416
Thiodiglycol (硫二甘醇)	417
Thionyl Chloride (氯化亚砷)	418
Titanium Powder	419
Triethanolamine (三乙醇胺)	420
Triethyl phosphite (亚磷酸三乙酯)	421
Zinc Dust	422



# LASERS & OPTO-ELECTRONICS

NHG develops, supplies, and procures advanced Laser and Opto Equipment. We bring innovative solutions to our unique customer set with thermal and night imaging devices, solid state laser materials, and opto-electric packages. NHG's high purity commercial grade laser materials and crystal technologies are setting a new standard of quality for the demands of high performance systems in the industrial, defense, aerospace communities. NHG routinely fulfills custom orders, so if you don't see what you're looking for, send us an inquiry on the special requests page and we'll make every effort to meet your needs.

Name	Item #
<i>Lasers (激光)</i>	
CW Lasers.....	501
CP2 and CO Lasers.....	502
Diode Lasers (激光二极管).....	503
Fiber Lasers (纤维激光).....	504
Solid-State Lasers (固态激光).....	505
Excimer Lasers (准分子激光).....	506
Argon Lasers (氩激光).....	507
Ion Lasers (电离激光).....	508
Various Metal Vapor Lasers (金水蒸气激光).....	509
SWAP-centril Applications.....	510
VCSEL-based IR illuminators (垂直腔面发射激光器).....	511
<i>Solid State Laser Materials (固态激光材料)</i>	
Nd: YAG.....	513
yb: YAG.....	514
Er: YAG.....	515
Ho: YAG.....	516
CTH: YAH.....	517
Ce: YAG.....	518
Lu3Al5O12.....	519
YALO3.....	520
Y2SiO5.....	521
Gallium Garnet(s) (稼柘榴石).....	522
Laser Rods, Slabs, and Discs (激光银盘).....	523
Passive Q-Switches.....	524

# 激光 和 光电工程

南海发展, 供应和采购高级插射和光电设备。我们引进最创新的解决方案为客户提供热成像仪, 夜视镜, 固态激光, 还有光电子。在工业, 国防, 航空航天的领域里, 南海的高纯度商业激光和结晶技术设置新质量标准符合高性能系统的条件。如果在此找不到您所需的产品, 请将您的要求发送给我们, 我们将尽一切努力满足您的要求。

Name	Item #
<i>Camera Components (相机零件)</i>	
Long, Mid, and Short Wave Cores.....	526
2-D.....	527
Linear (线性).....	528
Custom ROICs.....	529
Focal Plane Arrays.....	530
Packaged Sensors (传感器).....	531
Emitters.....	532
Hardened Lenses.....	533
Optical Filters (滤光器).....	534
<i>Lighting and Imaging (像仪)</i>	
Image Inverters.....	536
Tapers.....	537
Faceplates.....	538
Focal Plane Array Components.....	539
Biotech Capillaries (生物科技).....	540
Floating Display Fiber Optic Faceplates.....	541
Wound Image Bundles.....	542
Infrared Chalcogenide Glasses.....	543
Sapphire (蓝宝石).....	544
Infrared Ceramic.....	545
Contrast Enhancement Filters.....	546
Radiation Shielding Glass (辐射屏蔽玻璃).....	547
Wide range of optical filters (广泛的滤光器).....	548
<i>Opto-Electric Communication Packages (光电通讯设备)</i>	
Fiber-Optic Butterfly (光纤).....	550
Pigtails.....	551
Laser Diode Assemblies (激光二极管).....	552
Optical Receivers and Transceivers (光接收器和光发送器).....	553
Transistor Outlines (晶体管).....	554



# SPECIALTY EQUIPMENT

Through our extensive network of vendors, the Nan Hai Group has access to many advanced ready-to-operate products and systems. We can provide specialty equipment for the heavy industry, marine, defense, opto-electric, and aerospace sectors. Our supply is continuously updated as new opportunities arise. If you don't see what you are looking for, send us an inquiry on the special requests page and we'll be sure to find what you're looking for.

# 特种设备

通过南海广泛的供货商网络，南海能够获得高级产品和系统。我们可以提供特色设备给重工业，海洋，国防，固态激光，和航空航天业。我们的产品供应一直随着市场的需要而不断地在更新。如果找不到您所需的，请发给来信给我们，我们会通过一切努力为您提供您要找的产品。目前存货包括：

## Armasight N-15 Generation 3 Night Vision Goggle

The Armasight N-15 is a hands-free dual-channel night vision goggle system that is light, compact, and durable with high image quality. The series provides top-level night vision and a built in infrared illuminator that allows for clear vision even in complete darkness.

## Armasight N-15 Generation 3 Night Vision Goggle

Armasight (阿姆塞特) N-15系列免提式顶级夜视镜装置轻盈小巧，坚固耐用搭配高质量图像。此系列提供顶级夜视镜及内置红外线照明器，即使在完全黑暗的地方也能保持视野清晰。



## Kongsberg OE1367 MKII Camera

The oe1366 Mk II (PAL) and oe1367 Mk II (NTSC) Colour Zoom Cameras replace the industry standard ROV inspection camera, the oe1366. This camera uses the latest super HAD CCD technology to give excellent light sensitivity and image definition. A newly developed DSP allows the creation of various Digital Effects.

## Kongsberg OE1367 MKII Camera

oe1366 Mk II (PAL) 和 oe1367 Mk II (NTSC) Colour Zoom 支持最新的业界标准。这个照相机使用最新HAD CCD 技术为提供光敏感度和分辨率。数字信号处理的能力是对真实世界的连续模拟信号进行测量或绿波。

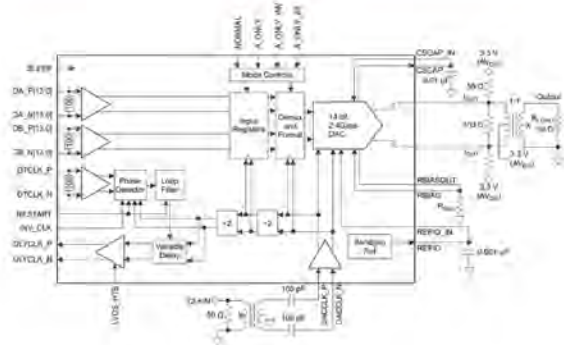


## Texas Instruments 14 Bit 2.4 GSPS Digital to Analog Converter

The DAC5670 is a 14-bit 2.4-GSPS digital-to-analog converter (DAC) with dual demultiplexed differential input ports. The DAC5670 is clocked at the DAC sample rate and the two input ports run at a maximum of 1.2 GSPS.

## Texas Instruments 14 Bit 2.4 GSPS Digital to Analog Converter

DAC5670 是一个 14位 2.4 GSPS 的数位类比转换器 (DAC)，与复用的双重差分输入端口。该 DAC5670 的时钟频率是DAC采样率和两个输入端口中的：一个最大的1.2 GSPS 运行。



# SPECIALTY EQUIPMENT

Through our extensive network of vendors, the Nan Hai Group has access to many advanced ready-to-operate products and systems. We can provide specialty equipment for the heavy industry, marine, defense, opto-electric, and aerospace sectors. Our supply is continuously updated as new opportunities arise. If you don't see what you are looking for, send us an inquiry on the special requests page and we'll be sure to find what you're looking for.

# 特种设备

通过南海广泛的供货商网络，南海能够获得高级产品和系统。我们可以提供特色设备给重工业，海洋，国防，固态激光，和航空航天业。我们的产品供应一直随着市场的需要而不断地在更新。如果找不到您所需的，请发给我们来信给我们，我们会通过一切努力为您提供您要找的产品。目前存货包括：

## Cree - 25W, 5.5-8.5Ghz, GaN, MMIC

Cree's CMPA5585025D is a gallium nitride (GaN) High Electron Mobility Transistor (HEMT) based monolithic microwave integrated circuit (MMIC). GaN has superior properties compared to silicon or gallium arsenide, including higher breakdown voltage, higher saturated electron drift velocity and higher thermal conductivity.



## Cree - 25W, 5.5-8.5Ghz, GaN, MMIC

Cree's CMPA5585025D 是一个氮化镓高电子迁移率晶体管为基础的微波单片集成电路。氮化镓跟硅元素和砷化镓相比性能更优越，包括更高的击穿电压，高饱和电子漂移速度和高热导率。

## Cree - 2.5-6GHz 25W, GaN Multi-stage MMIC

Cree's CMPA2560025F is a gallium nitride (GaN) High Electron Mobility Transistor (HEMT) based monolithic microwave integrated circuit (MMIC). GaN has superior properties compared to silicon or gallium arsenide, including higher breakdown voltage, higher saturated electron drift velocity and higher thermal conductivity.



## Cree - 2.5-6GHz 25W, GaN Multi-stage MMIC

Cree's CMPA2560025F 是一个氮化镓高电子迁移率晶体管为基础的微波单片集成电路。氮化镓跟硅元素和砷化镓相比性能更优越，包括更高的击穿电压，高饱和电子漂移速度和高热导率。

## Thermal Scope - FLIR RS32 ThermoSight 336 x 256 Thermal Weapon Scopes

The FLIR ThermoSight® R-Series is the world's first line of commercial thermal night vision rifle scopes for non-game hunting. Built by the leader in infrared technology, the FLIR ThermoSight® R-Series delivers the range of features you want—with the thermal performance you expect.



## Thermal Scope - FLIR RS32 ThermoSight 336 x 256 Thermal Weapon Scopes

FLIR ThermoSight® R-Series 是世界上第一个商业热成像夜视步枪瞄准镜用于非游戏狩猎。由顶尖的红外线科技人员制造，FLIR ThermoSight® R-Series 具备广泛的特征及顶尖的热导率。



# SPECIALTY EQUIPMENT

Through our extensive network of vendors, the Nan Hai Group has access to many advanced ready-to-operate products and systems. We can provide specialty equipment for the heavy industry, marine, defense, opto-electric, and aerospace sectors. Our supply is continuously updated as new opportunities arise. If you don't see what you are looking for, send us an inquiry on the special requests page and we'll be sure to find what you're looking for.

# 特种设备

通过南海广泛的供货商网络，南海能够获得高级产品和系统。我们可以提供特色设备给重工业，海洋，国防，固态激光，和航空航天业。我们的产品供应一直随着市场的需要而不断地在更新。如果找不到您所需的，请发来信给我们，我们会通过一切努力为您提供您要找的产品。目前存货包括：

## EnviroNics - ChemPro100i Chemical Detector

The ChemPro 100i is a handheld detector for field detection and classification of Chemical Warfare Agents (CWAs) and selected Toxic Industrial Chemicals (TICs). ChemPro 100i's advanced technology of chemical sensors provides for strong sensitivity. The system control interface is user friendly and operations can be completed simply with one hand.

## EnviroNics - ChemPro100i Chemical Detector

ChemPro100是手持式化学探测器用于就地检测，检测分类化学战剂（CWAs）和有毒的工业化合物(TICs)。ChemPro 100i 采用了最新一代化学传感器以提高灵敏度。系统控制界面操作简单，



## Ocean Tools OceanFOG Gyro

Provides highly accurate heading, pitch, roll, heave, rate, acceleration and geographical position. Available in several variants: 3k horizontal housing, S Surface Gyro, R RovFOG.

## Ocean Tools OceanFOG Gyro

提供精确的速度，加速度，和地理位置，有很多方式：3k horizontal housing, S Surface Gyro, R RovFOG

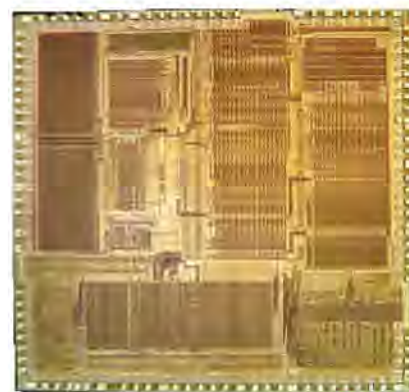


## HX1750 - MIL-STD-1750A Microprocessor

The HX1750 is a true single chip implementation of the MIL - STD - 1750A instruction set architecture, fabricated on Honeywell's Silicon on Insulator CMOS (SOI-IV) process. It combines a fast 16 bit microprocessor, a 40 bit floating point processor, counters, timers and other peripheral interface logic – all on a single chip.

## HX1750 - MIL-STD-1750A Microprocessor

该HX1750是一个真正的单芯片安装启用于1750计算机的指令级架构，基于霍尼韦尔绝缘体上硅CMOS(SOI-IV)的程序。它结合了快速16位微处理器，40位复电处理器，计数器，定时器等外围界面逻辑—全部在单芯片上。



## COMPLIANCE POLICY

It is the policy of the Nan Hai Group to comply with U.S. Export Control Laws. The U.S. Department of State's Directorate of Defense Trade Controls, the U.S. Department of Commerce's Bureau of Industry and Security, and the U.S. Department of Treasury's Office of Foreign Assets Control administer export control regulations that affect some aspects of our business. These regulation and control laws restrict certain types of information, technologies, and commodities that can be transmitted overseas to entities and individuals, including U.S. Citizens, or made available to foreign nationals on U.S. soil. Nan Hai products and technologies may not be sold, exported, re-exported, or transferred to any person or entity designated as prohibited or restricted by an agency of the U.S. Government.

## 遵守政策

南海的政策是遵守美国出口管制规则。美国国务院国防贸易管制局，美国商务部产业安全局，和美国财政部外国资产控制管理对商业有影响的出口管制规则。这些规则和管理法律是针对被转送到国外或提供给在美国本土的外来公民的某些信息，技术， 和商品作出限制。任何人都不能把南海的产品和技术出口,转出口或转移给任何被美国政府指定禁止的人或实体。